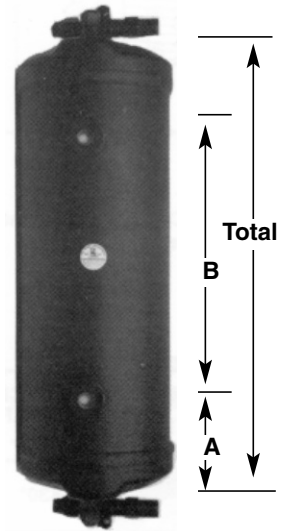


OIL RESERVOIRS

These reservoirs may be used with the oil separator and an oil level regulator to return oil to the compressor.

U.L. CODE RECEIVERS	PART NUMBER	"A" CAPACITY	"B" CAPACITY	TOTAL CAPACITY	LENGTH
MN	5014	.75 gallon	.75 gallon	2 gallon	18"
MN	5014-1	.75 gallon	3 gallon	4 gallon	36"



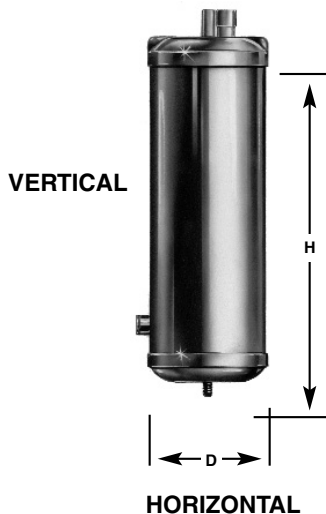
Oil Reservoirs are necessary on multiple, parallel compressor systems. They act as a holding vessel ready to feed oil to the oil level regulators as needed to maintain the proper oil level at each individual compressor and are essential for maintaining the proper balance of oil throughout the system. The valve at the top receives the oil from the oil separator while the valve at the bottom distributes it to the compressor crankcases. The top valve provides a convenient access port for adding oil to the system and the bottom valve likewise provides an access valve for removing oil if necessary based on the level indicated by the sight glasses. There is also a fitting at the top to attach the vent line with the pressure differential valve which regulates the pressure in the reservoir.

WATER CHILLER EVAPORATORS

The vertical chiller evaporators are particularly intended for heat pump applications with capillary systems. The horizontal chiller evaporators are designed for use with thermostatic or automatic expansion valves. Water flows through integral finned copper tubing and the liquid refrigerant boils on the outside of the coil.

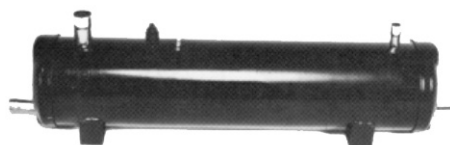
The vertical evaporators may be used in parallel. They contain a built-in patented suction accumulator to protect the compressor against flood back and to prevent oil trapping.

VERTICAL



PART NO.	† SIZE (TONS)	(D) DIA. (IN.)	(H) HEIGHT (IN.)	REFRIGERANT CONNECTIONS		WATER CONNECTIONS	NET WEIGHT (LBS.)
				IN	OUT		
5829	1	6	13-1/2	1/2" I.D.	3/4" I.D.	5/8" O.D.	27.5
5830	1-1/2	6	18	1/2" I.D.	3/4" I.D.	5/8" O.D.	35.5
5971	3	6	30	1/2" I.D.	3/4" I.D.	7/8" O.D.	43

HORIZONTAL



PART NO.	† SIZE (TONS)	DIA. (IN.)	LENGTH (IN.)	REFRIGERANT CONNECTIONS		WATER CONNECTIONS	NET WEIGHT (LBS.)
				IN	OUT		
5011	3	6	26	5/8" I.D.	1-1/8" I.D.	5/8" I.D.	30 lbs.
5012	5	6	35	7/8" I.D.	1-3/8" I.D.	1-1/8" I.D.	43 lbs.

